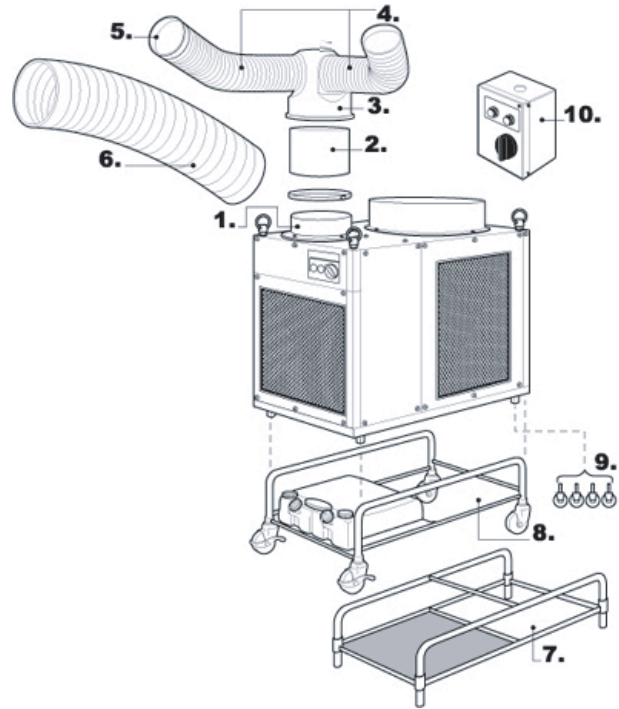


ACCESSORIES

Classic 40



No. □	Part Name □	Description □	Part Number
1. □ □	Cold Air Flange □ □	12" diameter gray metal flange with wire clamp and mounting screws. □	481170-0190
2. □ □ □	Chamber Extender □ □ □	Chamber Extender Flange (not shown) Gray metal cylinder raises exhaust air chamber 16" above unit. Gray metal flange □ connects chamber extender to unit. □	481849-1431 481170-0090
3. □ □ □	Two-way Chamber □ □ □	Three-way Chamber (not shown) Insulated gray plastic chamber diverts airflow in two directions. Use 6" extension ducts. Diverts □ airflow in three directions. Use 6" extension ducts. □	481769-0041 481769-0051
4. □ □	Extension Duct □ □	6" adjustable diameter white plastic duct that extends from 6 1/2' to 10' in length. □	481744-0030
5. □	Trim Ring □	6" diameter black plastic ring end cap for extension duct. □	481851-0210
6. □ □	Extension Duct □ □	12" adjustable diameter white plastic duct that extends from 6 1/2' to 10' in length. □	481744-0060
7. □	Stand Kit □	Blue metal, tubular frame raises unit off the ground. □	484750-0020
8. □ □	Wagon Kit □ □	Blue metal, tubular frame with four casters, drain spout assembly and two 5-gal. condensate tanks. □	484710-0020
9. □	Caster Kit □	Four casters and wrench. □	484709-0011
10. □ □	Remote Control Kit □ □	Kit includes remote control box and installation hardware. Use six 18AWG plus one ground wire (wire not included). □	484500-0430