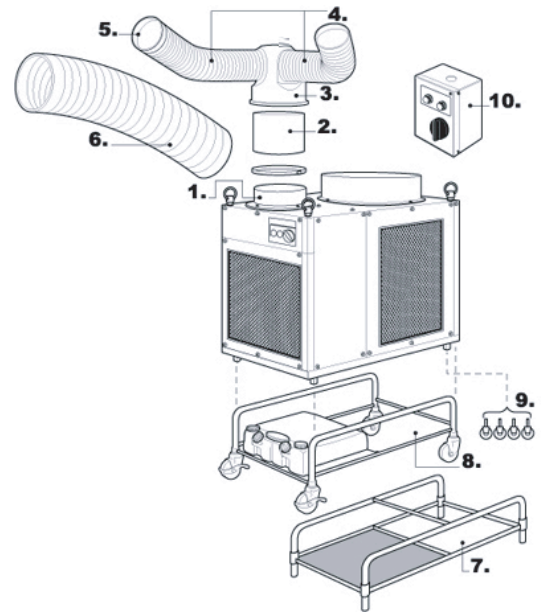


# ACCESSORIES

## Classic 60



No. □	Part Name □	Description □	Part Number
1. □	Cold Air Flange □	12" diameter gray metal flange with wire clamp and mounting screws. □	481170-0190
2. □	Chamber Extender □ Chamber Extender Flange □ (not shown) □	Gray metal cylinder raises exhaust air chamber 16" above unit. Gray metal flange connects chamber extender to unit. □	481849-1431 481170-0090
3. □	Two-way Chamber □ Three-way Chamber □ (not shown) □ Reducer Flange □	In"Insulated gray plastic chamber diverts airflow in two directions. Use 6"" extension ducts. Diverts airflow in three directions. Use 6"" extension ducts. Diverts airflow in three directions. Use 6"" extension ducts. Gray metal flange converts □ mounting holes on Classic 60 for two or three-way chamber and □ chamber extender flange." □	481769-0041 481769-0051 481170-0150
4. □	Extension Duct □	6" adjustable diameter white plastic duct that extends from 6 1/2' to 10' in length. □	481744-0030
5. □	Trim Ring □	6" diameter black plastic ring end cap for extension duct. □	481851-0210
6. □	Extension Duct □	12" adjustable diameter white plastic duct that extends from 6 1/2' to 10' in length. □	481744-0060
7. □	Stand Kit □	Not Available for this model. □	NA
8. □	Wagon Kit □	Not Available for this model. □	NA
9. □	Caster Kit □	Four casters and wrench. □	484709-0020
10. □	Remote Control Kit □	Kit includes remote control box and installation hardware. Use six 18AWG plus one ground wire (wire not included). □	484500-0430