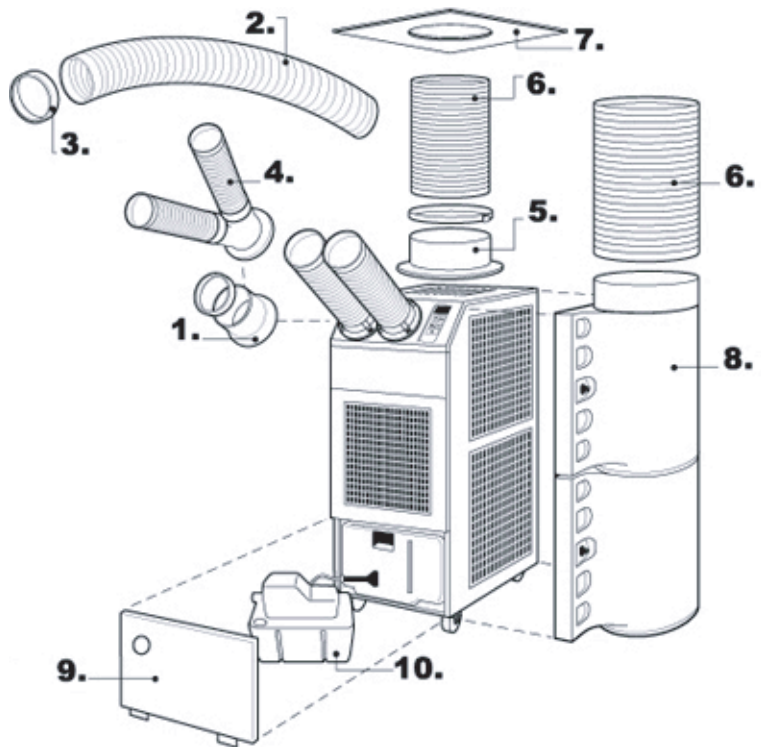


# ACCESSORIES

## Classic Plus 14



No. □	Part Name □	Description □	Part Number
1. □ □	Cold Air Flange □ □	5" diameter white metal flange with wire clamp and mounting screws. □	481170-0180
2. □ □	Cold Air Extension Duct □ □	5" diameter white plastic duct that extends from 6 1/2' to 10' in length. □	481744-0090
3. □ □	Trim Ring □ □	5" diameter black plastic ring mounts as end caps for extension ducts. □	481851-0200
4. □ □	Dual Duct □ □	5" diameter white plastic flange with two 4" nozzles that extend to 3 1/2' in length. □	484209-0030
5. □ □	Warm Air Flange □ □	12" diameter gray metal flange with wire clamp and mounting screws. □	481170-0190
6. □ □	Warm Air Duct □ □	12" adjustable diameter white plastic duct that extends from 6 1/2' to 10' in length. □	481744-0060
7. □	Ceiling Tile □	24" x 24" white tile with 12" hole for warm air duct. □	LA146373-8280
8. □	Air Plenum □	White plastic plenum, hinged for filter cleaning. □	LAY84270-0020
9. □	Cover Plate Blue □	metal plate covers condensate collection area. □	484009-0480
10. □ □	Condensate Pump Kit □ □	110V pump kit includes 3/8" diameter x 20' length hose and installation hardware. □	CPK3