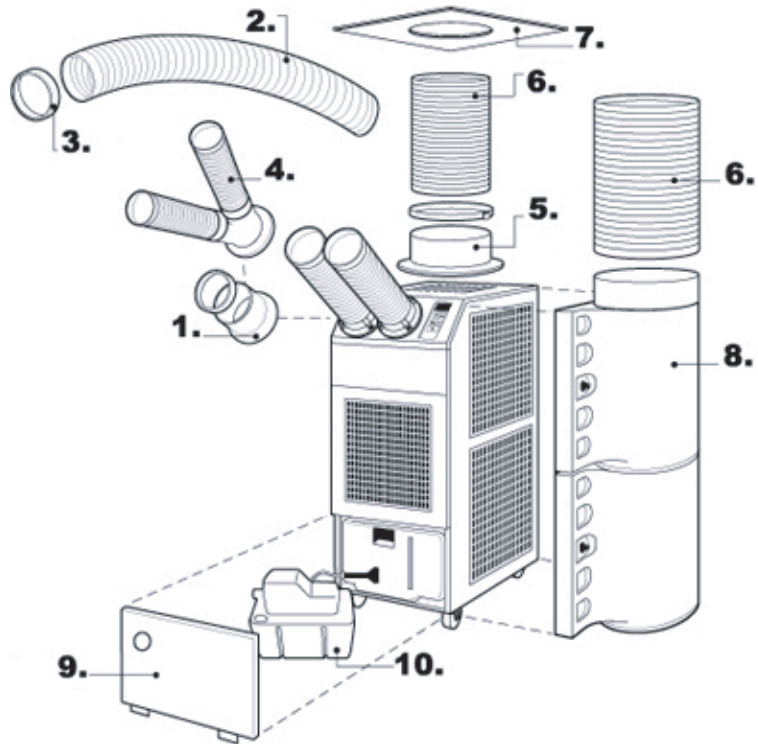


ACCESSORIES

Classic Plus 26



No.	Part Name	Description	Part Number
1.	Cold Air Flange	6" diameter white metal flange with wire clamp and mounting screws.	481170-0250
2.	Cold Air Extension Duct	6" diameter white plastic duct that extends from 6 1/2' to 10' in length.	481744-0030
3.	Trim Ring	6" diameter black plastic ring mounts as end caps for extension ducts.	481851-0210
4.	Dual Duct	N/A	
5.	Warm Air Flange	12" adjustable diameter white plastic duct that extends from 6 1/2' to 10' in length.	481170-0190
6.	Warm Air Duct	12" adjustable diameter white plastic duct that extends from 6 1/2' to 10' in length.	481744-0060
7.	Ceiling Tile	24" x 24" white tile with 12" hole for warm air duct.	LA146373-8280
8.	Air Plenum	White plastic plenum, hinged for filter cleaning.	LAY84270-0030
9.	Cover Plate Blue	metal plate covers condensate collection area.	484009-0480
10.	Condensate Pump Kit	220V pump kit includes 3/8" diameter x 20' length hose and installation hardware.	LA484789-0090