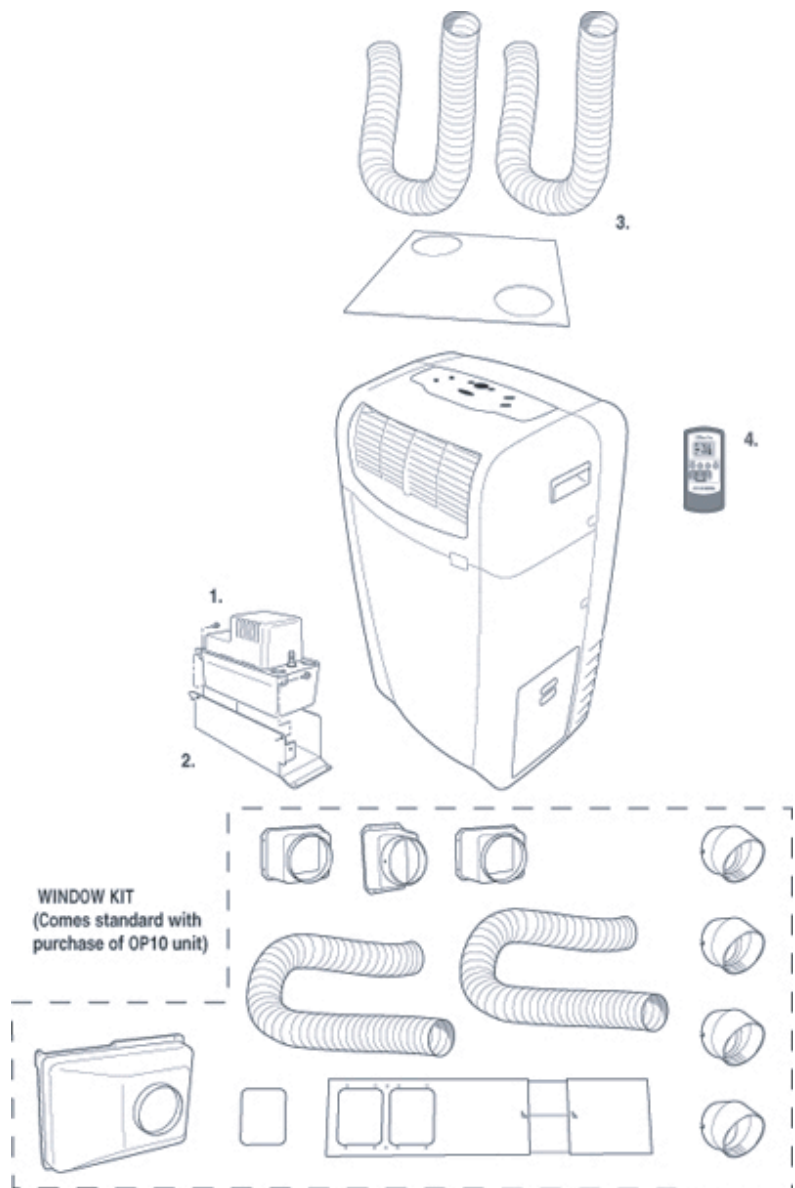


ACCESSORIES

Office Pro 10



No. □	Part Name □	Description □	Part Number
1. □ □	Condensate Pump Kit □ □	110V pump kit includes 3/8" diameter x 20' length clear vinyl hose and installation hardware. □	CPK7
2. □ □	Adapter Plate □ □	Plate which mounts to pump, must be purchased when using the Condensate Pump Kit. □	LAY45711-002A
3. □ □	Ceiling Tile Kit □ □	24" x 24" white tile with 2 holes, 6" in diameter, with 2 warm air self-supported ducts 12' in length. □	LAY45771-0110
4. □ □	Remote Control □ □	Full function remote for quick and easy operation from distances up to 20 feet. □	LAY13090-0010