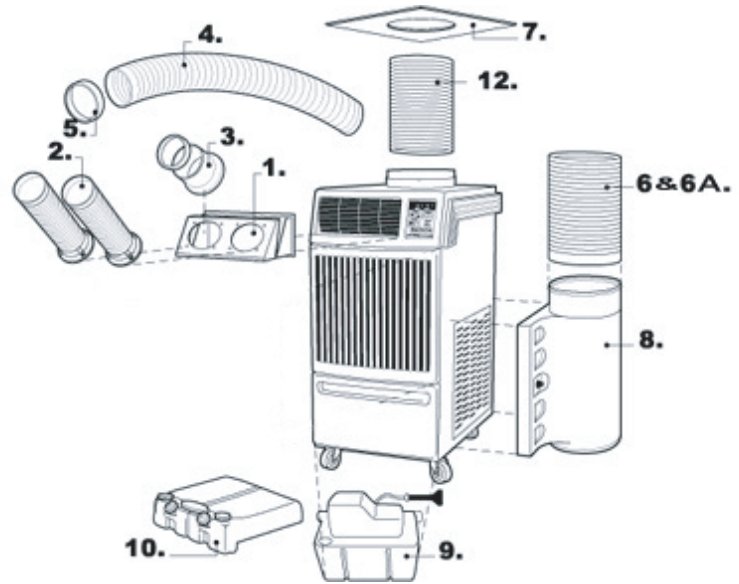


ACCESSORIES

Office Pro 36



No.	Part Name	Description	Part Number
1.	Nozzle Adapter	Four-piece metal frame converts airflow from louvers to nozzles or cold air ducts. Includes mounting screws. (Nozzles and ducts sold separately.)	LAY45770-0070 (6")
	Duct Adapter	Same as above, but for use with cold air flexible ducts. Includes flange. (Cold air flexible ducts sold separately.)	LAY45770-0080 (8")
2.	Nozzle 6" diameter	white plastic nozzle that extends up to 3-1/2' in length. Includes flange, mounting screws and trim ring. (Purchase two sets of two.)	484209-0050 (6")
3.	Cold Air Flange	6" diameter white metal flange with wire clamp and mounting screws. Use with cold air ducts.	481170-0250 (6")
4.	Cold Air Self-Supported Duct	6" or 8" adjustable diameter, white PVC duct that extends from 6-1/2' to 10' in length.	481744-0030 (6") LAY45810-0080 (8")
	Cold Air Flexible Duct	8" diameter wire-reinforced, accordion-style duct in 25' lengths.	LAY45810-0030 (8")
5.	Trim Ring	6" diameter black end-cap for cold air self-supported duct.	481851-0210
6.	Warm Air Self-Supported Duct	12" diameter plastic duct that extends to 10' in length.	481744-0060
6a.	Warm Air Flexible Duct	12" diameter wire-reinforced, accordion-style duct in 10' length for condenser exhaust. Includes clamp.	LAY45771-0060
7.	Ceiling Tile	24" x 24" white tile with 12" hole for warm air self-supported duct.	LA146373-8280
8.	Condenser Air Plenum	White plastic plenum for return air to condenser. Hinged for filter cleaning.	LAY84270-0030
9.	Condensate Pump Kit	230V pump kit includes 3/8" diameter x 20' length clear vinyl hose and installation hardware.	CPK230
10.	Condensate Tank	Included with unit.	Included
	Condensate Float (not shown)	Included with unit.	Included
11.	Evaporator Air Plenum	White plastic plenum for return air to evaporator.	LAY84270-0020
12.	Warm Air Flexible Duct Kit	16" diameter wire-reinforced, accordion-style duct for condenser exhaust or evaporator intake. Includes clamp.	LAY45820-0010